

## PROBEMASTER

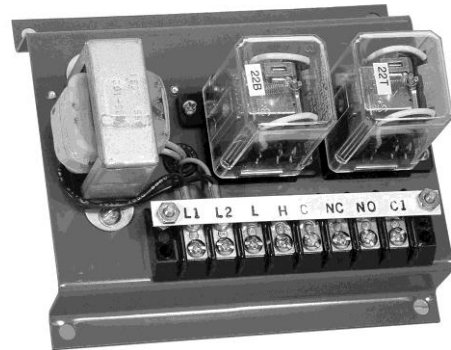
### FLOATLESS LEVEL CONTROL

#### PROBES

Probemaster, the most accurate, dependable and economical level control for water systems. Conductive probes with no moving parts in water. The probe conducts a minute current through the water to operate the Probemaster. The probe control operates on low voltage with current in the low micro-ampere range. Standard sensitivity is 50,000 ohms. Because of the low voltage and current the probes are safe to handle when powered. Two probes and ground provide a differential operation. The operation can be ON at one level, and OFF at another level. The Probemaster is available in pump up or pump down models. With loss of power both models provide open output contacts for failsafe operation.



MODEL PR172 PROBEMASTER  
PUMP DOWN APPLICATIONS



MODEL PR173 PROBEMASTER  
PUMP UP APPLICATIONS

#### WATER SYSTEM APPLICATIONS

Deep Well low level cutoff and restore. Prevents well pump from running dry. Use 2 probes clamped to drop pipe above the pump intake. Use pump down model PR172.

Well pump operation filling a ground storage tank. Use 2 probes, 1 for start and 1 for stop level. Use pump up model PR173.

High Service Pumps pumping from a ground storage tank. Low cutoff and restore to prevent the pumps from running dry. Use pump down model PR172.

High and Low level alarms using 1 probe and ground, or 2 probes with alarm level and reset level. Use pump down model PR172.

#### MASTER LEVEL CONTROLS CO.

19900 County Road 81, Maple Grove, MN 55311

PO Box 427, Rogers, MN 55374

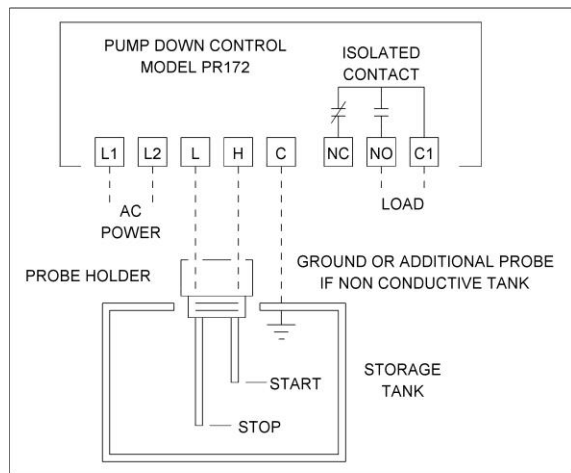
Phone 800-MLC-8020 651-426-9085 Fax 651-426-9354 E-mail info@masterlevel.com

## PROBEMASTER

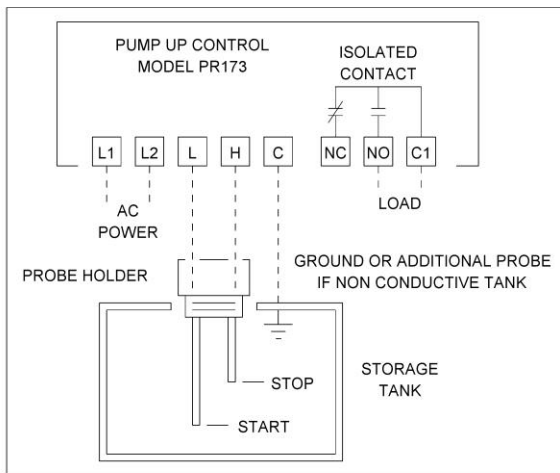
### FLOATLESS LEVEL CONTROL

#### PROBES

#### PUMP DOWN MODEL PR172



#### PUMP UP MODEL PR173



## ACCESSORIES FOR TANK

### PROBE HOLDER



Cast Iron or Brass construction with aluminum housing and cover. Available from 1 probe to 7 probes. Housing is rated 125 psi. at 343° F. Conduit opening on side is 1/2" NPT. Use stainless steel rods or suspension wire with 3W2

### STAINLESS STEEL PROBE RODS

1/4" Stainless Steel probe rods with threaded ends that screw into the probe fitting. Lengths up to 5 feet can be threaded on both ends and supplied with a S.S. coupling. Multiple lengths can be insulated to protect rods from touching.

### 3W2 STAINLESS STEEL PROBE TIP



Stainless Steel probe tip with protective plastic shield and is designed to be used with PVC suspension wire. Liquidtite fitting on the probe tip is matched to the suspension wire.

## MASTER LEVEL CONTROLS CO.

19900 County Road 81, Maple Grove, MN 55311      PO Box 427, Rogers, MN 55374  
Phone 800-MLC-8020 651-426-9085 Fax 651-426-9354 E-mail info@masterlevel.com

# MASTER LEVEL CONTROLS

C1

PROBEMASTER

AUG 2018

FLOAT LESS LEVEL CONTROL PROBES

MODEL NO. DESCRIPTION PRICE

## PUMP DOWN

PR172-1 Probemaster Control for Pump Down, Nema 1 encl.  
120v/230v Starter Coil, 120V control.

PR172-1 Probemaster Control for Pump Down, Open Chassis  
120v/230v Starter Coil, 120V control.

## PUMP UP

PR173-1 Probemaster Control for Pump Up, Nema 1 encl.  
120v/230v Starter Coil, 120V control.

PR173-1 Probemaster Control for Pump Up, Open Chassis  
120v/230v Starter Coil, 120v control.

## PROBE HOLDER AND ACCESSORIES

NUMBER OF PROBES	PIPE SIZE MPT	P/N CAST IRON	PRICE	P/N BRASS	PRICE
1	1"	3E1A		3E1B	
2	2"	3E2A		3E2B	
3	2"	3E3A		3E3B	
4	2 1/2"	3E4A		3E4B	
5	3"	3E5A		3E5B	
6	3"	3E6A		3E6B	
7	3"	3E7A		3E7B	

ADD SUFFIX -W FOR SUSPENSION WIRE APPLICATIONS (3E3B WOULD BE 3E3B-W)

3W2 PROBE TIP, WITH PROTECTIVE PLASTIC SHIELD

WIRE SUSPENSION WIRE, USE BETWEEN PROBE HOLDER AND 3W2  
PROBE TIP, MATCHED TO FIT "O" RING IN PROBE TIP

SS ROD STAINLESS STEEL PROBE ROD, 1/4" DIAMETER THREAD  
ONE END, PRICE PER FOOT OR FRACTION OF FOOT.  
ADD \$ 2.00 PER FOOT FOR HEAT SHRINK INSULATED ROD.

3B3B PROBE FITTING, 5/8" - 24NEF (SPARK PLUG)

*All Prices Subject To Change Without Notice*

*F.O.B. Rogers, MN*

## MASTER LEVEL CONTROLS CO.

19900 County Road 81, Maple Grove, MN 55311 PO Box 427, Rogers, MN 55374  
Phone 800-MLC-8020 651-426-9085 Fax 651-426-9354 E-mail info@masterlevel.com